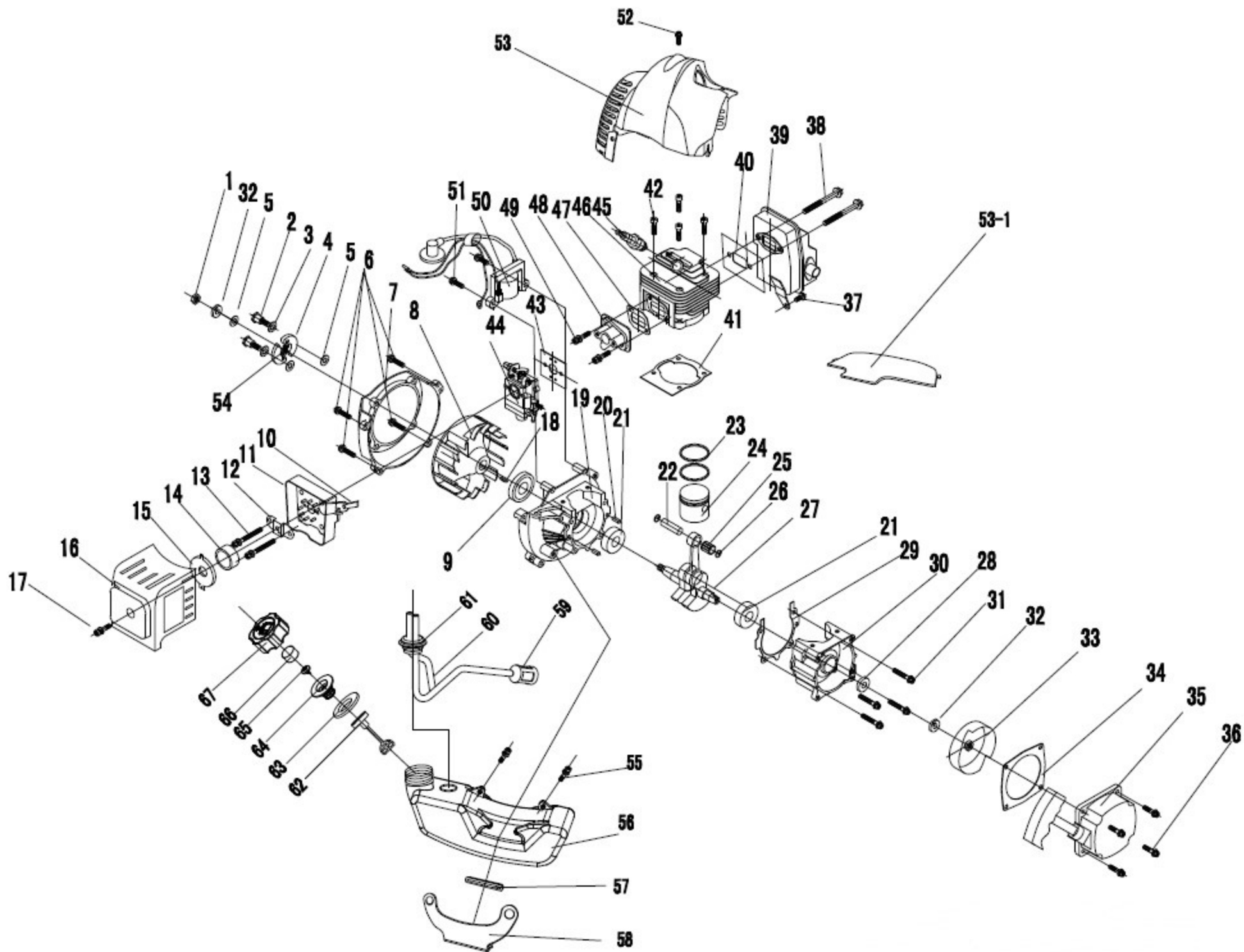


| RPB 510, 517, 518 2021 Transmission | | | |
|--|------------------|------------------------------------|-----------------|
| Pozice | Obj.číslo | Popis | Počet ks |
| 2 | BZ21233 | Output assembly | 1 |
| 2-1 | BZ21234 | Driven Wheel | 1 |
| 2-2 | BZ21235 | Circlip Φ 35 | 1 |
| 2-3 | BZ21236 | Bearing 6202Rs | 1 |
| 2-4 | BZ21237 | Circlip For Shaft Φ 15 | 1 |
| 2-5 | BZ21238 | Cluch Housing | 1 |
| 2-6 | BZ21239 | Hex Bolt Set M6X30 | 4 |
| 2-7 | BZ21240 | Damping Bush | 1 |
| 2-8 | BZ21241 | Circlip Φ 45 | 1 |
| 2-9 | BZ21242 | Clamp Φ 26 | 1 |
| 2-10 | BZ21243 | Hex Bolt Set M6X25 | 1 |
| 2-11 | BZ21244 | Hex Bolt Set M6X16 | 1 |
| 3 | BZ21245 | Drive Shaft Pipe Assy. | 1 |
| 3-1 | BZ21246 | Drive Shaft Pipe I | 1 |
| 3-2 | BZ21247 | Drive Shaft Pipe li | 1 |
| 3-3 | BZ21248 | Drive Shaft li | 1 |
| 3-4 | BZ21249 | Shaft Connector | 1 |
| 3-5 | BZ21250 | Drive Shaft I | 1 |
| 3-6 | BZ21251 | Oil Shaft Sleeve | 6 |
| 4 | BZ21252 | Connector assy | 1 |
| 4-1 | BZ21253 | Knob M6 | 1 |
| 4-2 | BZ21254 | Flat Washer Φ 6 | 1 |
| 4-3 | BZ21255 | Pipe Connector | 1 |
| 4-4 | BZ21256 | Hex Bolt M6X16 | 1 |
| 4-5 | BZ21257 | Self-Lock Nut M6 | 2 |
| 4-6 | BZ21258 | Cross Bolt M5X16 | 1 |
| 5 | BZ21259 | Gear Box Cpl. | 1 |
| 5-1 | BZ21260 | Retaining Ring Φ 32 | 1 |
| 5-2 | BZ21261 | Bearing 6002Rs | 1 |
| 5-3 | BZ21262 | Shaft | 1 |
| 5-4 | BZ21263 | Driven Gear | 1 |
| 5-5 | BZ21264 | Bearing 6000Rs | 3 |
| 5-6 | BZ21265 | Gear Box | 1 |
| 5-7 | BZ21266 | Driving Gear | 1 |
| 5-8 | BZ21267 | Retaining Ring For Shaft Φ 10 | 1 |
| 5-9 | BZ21268 | Retaining Ring Φ 26 | 1 |
| 5-10 | BZ21269 | Hex Bolt Set M5X25 | 2 |
| 5-11 | BZ21270 | Hex Bolt Set M6X16 | 1 |
| 5-12 | BZ21271 | Hex Bolt Set M6X12 | 1 |
| 6 | BZ21272 | accessories for gear case | 1 |
| 6-1 | BZ21273 | Self-Lock Nut M10X1.25-Lh | 1 |
| 6-2 | BZ21274 | Blade Protector | 1 |
| 6-3 | BZ21275 | Outer Flange For Blade | 1 |
| 6-5 | BZ21277 | Inner Flange For Blade | 1 |
| 6-6 | BZ21278 | Cross Pan Bolt Set M5X12 | 3 |
| 6-7 | BZ21279 | Press Cover | 1 |
| 7 | BZ21280 | Blade Guard Assy. | 1 |

| | | | |
|------|---------|---------------------------------------|---|
| 7-1 | BZ21281 | Hex Bolt Set M6X20 | 2 |
| 7-2 | BZ21282 | Press Plate For Grass Baffle | 1 |
| 7-3 | BZ21283 | Grass Baffle | 1 |
| 7-4 | BZ21284 | Grass Baffle Bracket | 1 |
| 7-5 | BZ21285 | Knife | 1 |
| 7-6 | BZ21286 | Cross Pan Self-Tapping Screw St4.2X16 | 3 |
| 8 | BZ21287 | Spool Assy.(Geruide Bump Head) | 1 |
| 9 | BZ21288 | Handle permanent seat assy | 1 |
| 9-1 | BZ21289 | Screw M6X25 | 6 |
| 9-2 | BZ21290 | Clamp Up Cover | 1 |
| 9-3 | BZ21291 | Fixed Block | 1 |
| 9-4 | BZ21292 | Damping rubber pad | 2 |
| 9-5 | BZ21293 | Clamp Down Cover | 1 |
| 10 | BZ21294 | Complete handle assy | 1 |
| 10-1 | BZ21295 | Right handle assembly | 1 |
| 10-2 | BZ21296 | Left handle assy | 1 |
| 10-3 | BZ21297 | Hex Bolt M6X33 | 1 |
| 10-4 | BZ21298 | Nut M6 | 1 |
| 11 | BZ21299 | Rings assembly for harness | 1 |
| 11-1 | BZ21300 | Hex Bolt M5X20 | 1 |
| 11-2 | BZ21301 | Hook | 1 |
| 11-3 | BZ21302 | Self-Lock Nut M5 | 1 |
| 12 | BZ21303 | Shoulder Strap Assy. | 1 |



| RPB 510, 517, 518 2021 Engine | | | |
|--------------------------------------|------------------|----------------------------------|-----------------|
| Pozice | Obj.číslo | Popis | Počet ks |
| 1 | BZ4AE08 | Nut/Gb/T41-2000 | 1 |
| 2 | BZ3HJEO0825 | Bolt | 2 |
| 3 | BZ5CD1015 | Washer/Gb7425-1987 | 2 |
| 4 | 2BC06910800 | Shoe Clutch | 2 |
| 5 | BZ5AE081615 | Washer/Gb/T97.1-2002 | 2 |
| 6 | BZ3GJCM0525 | Bolt/Gb/T70.1-2000 | 4 |
| 7 | 2BC12010102 | Cover | 1 |
| 8 | 2BC12080602 | Rotor | 1 |
| 9 | BZ8BE301507 | Oil Seal $\Phi 30 * \Phi 15 * 7$ | 1 |
| 10 | 2BC12910700 | Lever Choke | 1 |
| 11 | 2BC12910705 | Body Ass'Y | 1 |
| 12 | 2BC12910709 | Plate | 1 |
| 13 | BZ3GJEO0555 | Screw/Gb/T70.1-2000 | 2 |
| 14 | 2BC12910708 | Element | 1 |
| 15 | 2BC12910722 | Plate | 1 |
| 16 | 2BC12910710 | Cover Ass'Y | 1 |
| 17 | BZ3BJCM0516 | Screw/Gb/T818-2000 | 1 |
| 18 | BZ9BA130305 | Key/Gb1099-1979 | 1 |
| 19 | 2BC12010205 | Crankcase Left | 1 |
| 20 | BZ1CA000510 | Pin/Gb/T119.1-2000 | 2 |
| 21 | BZ7AF6202 | Bearing/Gb/T276-1994 | 1 |
| 22 | 2BC12022101 | Pin | 1 |
| 23 | 2BC12081901 | Ring | 2 |
| 24 | 2BC12080101 | Piston | 1 |
| 25 | BZ7CH101416 | Bearing/Jb/T7918-1997 | 1 |
| 26 | 2BC12021401 | Ring | 2 |
| 27 | 2BC12910300 | Crank Shaft | 1 |
| 28 | BZ8BE221207 | Oil Seal $\Phi 12 * \Phi 22 * 7$ | 1 |
| 29 | 2BC12081801 | Gasket Case | 1 |
| 30 | 2BC12010206 | Crankcase Right | 1 |
| 31 | BZ3GJEO0535 | Screw/Gb/T70.1-2000 | 4 |
| 32 | BZ5BC0813 | Washer/Gb93-1987 | 2 |
| 33 | 2BC06020401 | Fulley | 1 |
| 34 | 2BC06021501 | Gasket | 1 |
| 35 | 2BC06910400 | Reciol Ass'Y | 1 |
| 36 | BZ3GJCM0520 | Screw/Gb/T70.1-2000 | 4 |
| 37 | BZ3BJCM0516 | Screw/Gb/T818-2000 | 1 |
| 38 | BZ3GJEN0655 | Bolt/Gb/T70.1-2000 | 2 |
| 39 | 2BC12081401 | Muffler Ass'Y | 1 |
| 40 | 2BC12081805 | Plate | 1 |
| 41 | 2BC12081802 | Gasket Base | 1 |
| 42 | BZ3GJEO0520 | Bolt/Gb/T70.1-2000 | 4 |
| 43 | 2BC12081804 | Plate | 1 |
| 44 | 2BC12080301 | Carburetor | 1 |
| 45 | 2BC06080701 | Spark Plug | 1 |
| 46 | 2BC12080201 | Cylinder | 1 |
| 47 | 2BC12081803 | Gasket Insulator | 1 |

| | | | |
|------|---------------|-----------------------|---|
| 48 | 2BC12001701 | Insulator | 1 |
| 49 | BZ3GJEN0530 | Screw/Gb/T70.1-2000 | 2 |
| 50 | 2BC12080802 | Coil Ass'Y | 1 |
| 51 | BZ3GJCM0520 | Screw/Gb/T70.1-2000 | 2 |
| 52 | BZ3CJCM0516 | Screw | 1 |
| 53 | 2BC12000102 | Top Cover | 1 |
| 53-1 | 2BC12000105 | Plate,Top Cover | 1 |
| 54 | 2BC06910800 | Clutch Spring | 1 |
| 55 | BZ3GJCM0520 | Screw/Gb/T70.1-2000 | 2 |
| 56 | 2BC12001501 | Oiler | 1 |
| 57 | 2BC06070304 | Oil Pot Rubber Shock | 1 |
| 58 | 2BC06020306 | Oil Pot Linking Piece | 1 |
| 59 | RPB520pipes | Fuel Filter | 1 |
| 60 | | Fuel Pipe | 2 |
| 61 | | Pipe Base | 1 |
| 62 | RPB520tankcap | Anti-Swap Board | 1 |
| 63 | | Aprons Sealed | 1 |
| 64 | | Anti-Block Off Plate | 1 |
| 65 | | Check Valve | 1 |
| 66 | | Filter Screen | 1 |
| 67 | | Oiler Cover | 1 |